

24" INGRESS'R® Mounting Instructions

INGRESS'R is shipped fully assembled!

SPECIAL TOOL NEEDED: #8 Spanner screwdriver bit

1. Remove Spanner Screws from cap. Slide the ACTUATOR column out from the SWITCH BASE for base mounting (SEE FIG.2).
2. **NOTE:** This unit is not designed to mount to any junction box. Use the enclosed hardware to mount directly to a vertical surface.
3. **For Wall mount:** Position the SWITCH BASE to be level and plumb (using 4 ft. level) at the desired location. Mark the locations of the ANCHORS. Install ANCHORS into wall. Install the supplied ANCHOR SCREWS through the JACK SCREWS and SWITCH BASE into the ANCHORS. Adjust JACK SCREWS, using large regular screw driver, to prevent the base from conforming to irregularities in the wall.
4. **WIRING OPTIONS**
Hard-wired: Using supplied wirenuts, connect the wires from the switch harness to the power source wires.
Wireless: Using supplied wirenuts, connect the wires from the switch harness to TRANSMITTER. Use double sided tape (supplied with transmitter) to secure TRANSMITTER to the upper portion of the INGRESS'R base as shown.
5. Slide the ACTUATOR back into the SWITCH BASE. Compress the SWITCH SPRING as the ACTUATOR passes the SWITCH. The HANGER PINS should rest in the slots at the top of the SWITCH BASE. (SEE FIG. 2.)
6. Position the END CAP onto the top of the SWITCH BASE. Attach with the supplied spanner security screws. (SEE FIG. 2.)

ENCLOSED PARTS BAG:

- (4) Ribbed drywall anchors
- (4) Lag screw masonry anchors
- (4) 1-1/4" slotted anchor screws
- (4) 1/4-20 Stainless flathead machine screws
- (2) Wirenuts

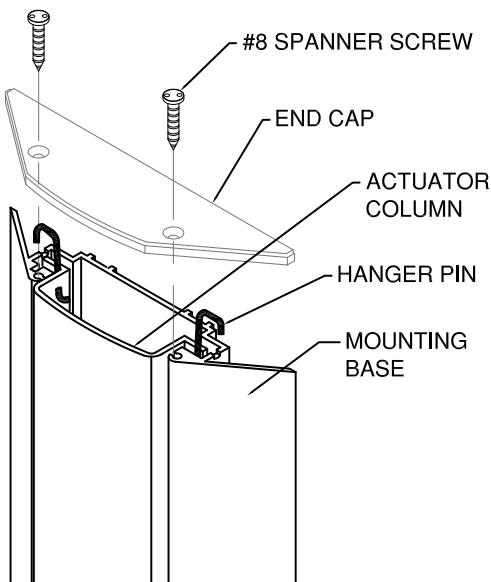


FIG. 2

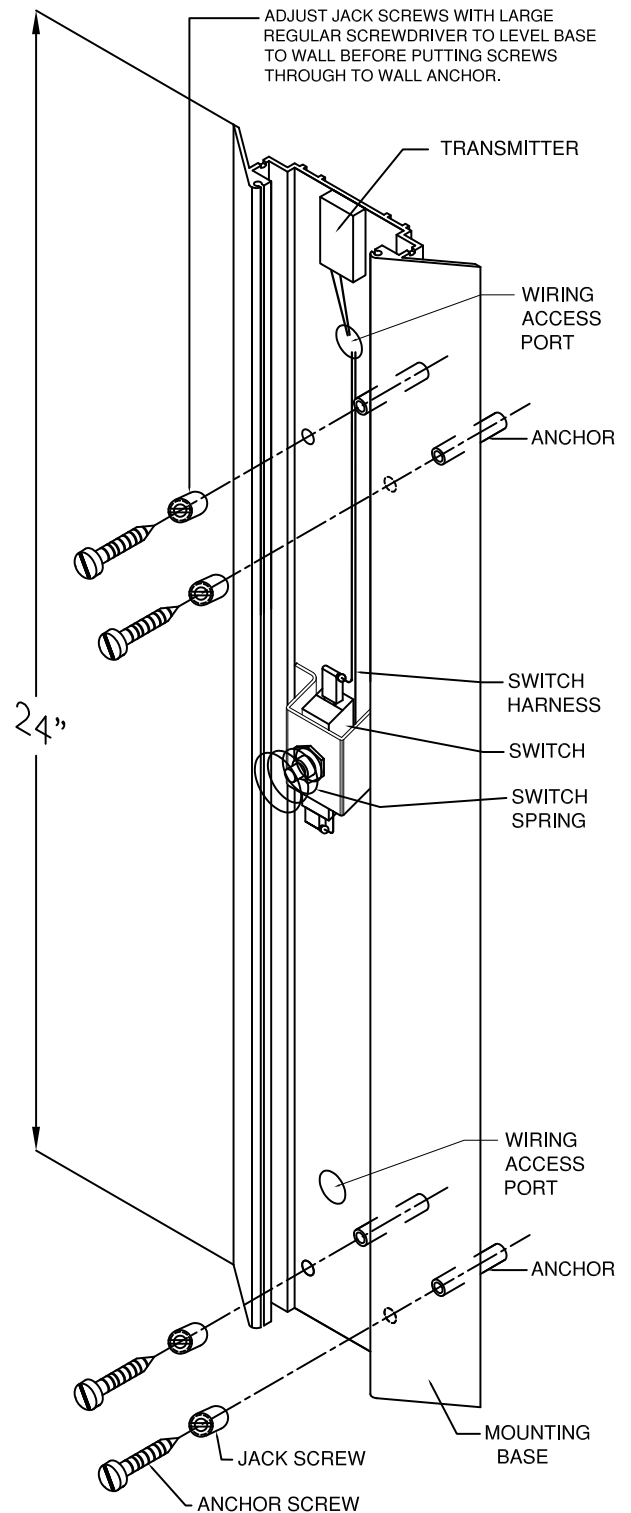


FIG. 1

