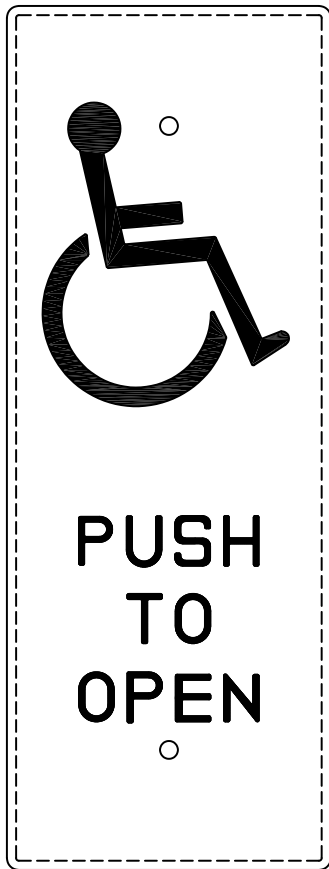
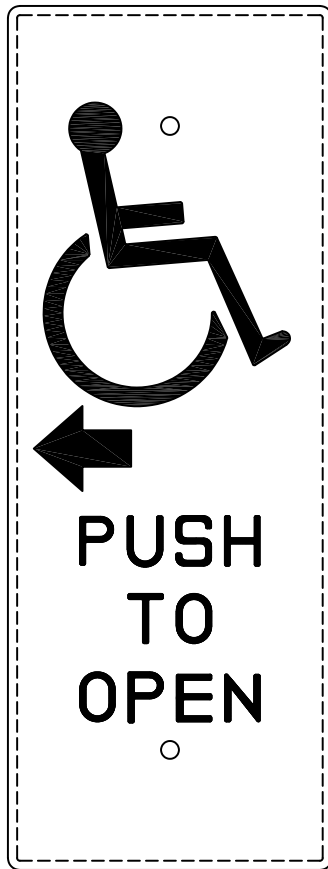


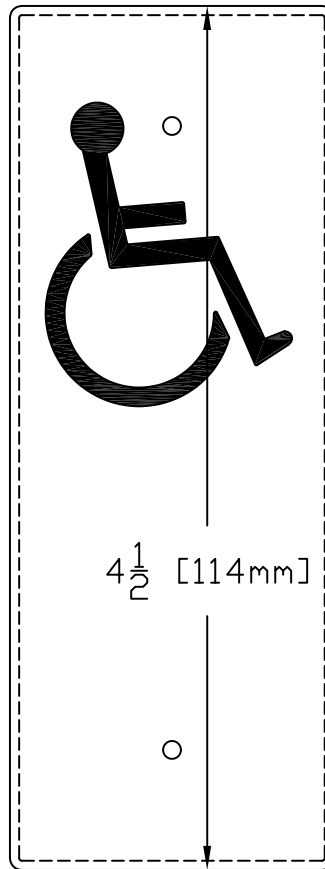
AA-2  
BLACK INFILL



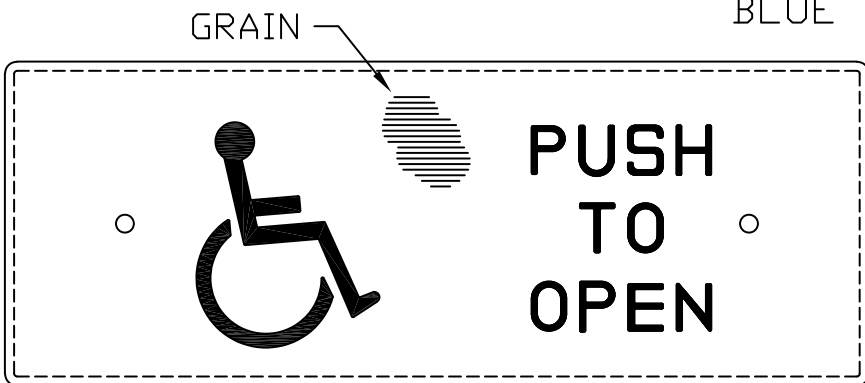
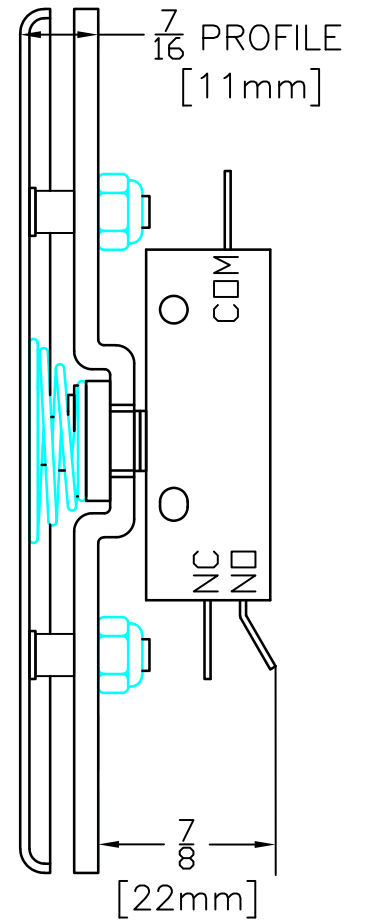
AA-3  
BLUE INFILL



AA-3-AL  
SHOWN  
AA-3-AR  
BLUE INFILL



AA-5  
BLUE INFILL



AA-3H  
BLUE INFILL

NOT SHOWN: AA-1 BLANK-NO LEGEND  
STANDARD MATERIALS AND FINISHES APPLY

		<b>Wikk Industries, Inc.</b> 6169 Industrial Ct. Greendale, WI 53129-0167 Phone: 414-421-9490 Fax: 414-421-3158	
		SCALE FULL	DRAWN BY/DATE LW/20NOV00
TITLE AA SWITCH LOGOS AND MOUNTING DETAILS			
DRAWING NUMBER J:\SWITCHES\BINDER DETAIL SWITCHES\AA SWITCH DETAILS-COMPOSITE			
WIKK PART NO. AA SWITCH DETAILS-COMPOSITE			