

INGRESS'R® Mounting Instructions

INGRESS'R® is shipped fully assembled!

1. Slide the actuator out from the SWITCH BASE (as packaged) for base mounting.
2. This unit is not designed to mount to any junction box. Use the enclosed hardware to mount directly to a vertical surface. Conduit access points (2) in the base are located at typical site conditions for wiring convenience.
3. Mark the locations of the ANCHORS or MACHINE SCREWS (for bollard mount). Install the ANCHORS supplied with unit.
4. Position the SWITCH BASE to be level and plumb (using 4 ft. level) at the desired location (wall mount). Adjust JACK SCREWS, using large regular screw driver to prevent the base from conforming to irregularities in the wall.
5. Wall mount: Install the supplied ANCHOR SCREWS through the JACK SCREW and SWITCH BASE and into the appropriate ANCHORS. Bollard mount: Drill and tap bollard for 1/4-20 machine screws. Check to make sure the BASE remains level and plumb.
6. Wire SWITCH as required.

Hard-wired: Using supplied wirenuts, connect the wires from the switch harness to the power source wires.

Wireless: Using supplied wirenuts, connect the wires from the switch harness to SWTRAN M. The LED light should not face the installer; it has to face the base! This ensures RF transmission. Use Velcro (in transmitter package) to secure SWTRAN M to the upper portion of the INGRESS'R base as shown.

7. Slide the ACTUATOR back into the SWITCH BASE. Compress the SWITCH SPRING as the ACTUATOR passes the SWITCH. The HANGER PINS should rest in the slots at the top of the SWITCH BASE. SEE FIG. 2.
8. Position the END CAP onto the top of the SWITCH BASE. Attach with the supplied spanner security screws. SEE FIG. 2.

-SPECIAL TOOL NEEDED: #8 Spanner screwdriver bit

PARTS BAG:

- (4) Ribbed drywall anchors
- (4) Lag screw masonry anchors
- (4) 1-1/4" slotted anchor screws
- (4) 1/4-20 Stainless flathead machine screws
- (2) Wirenuts

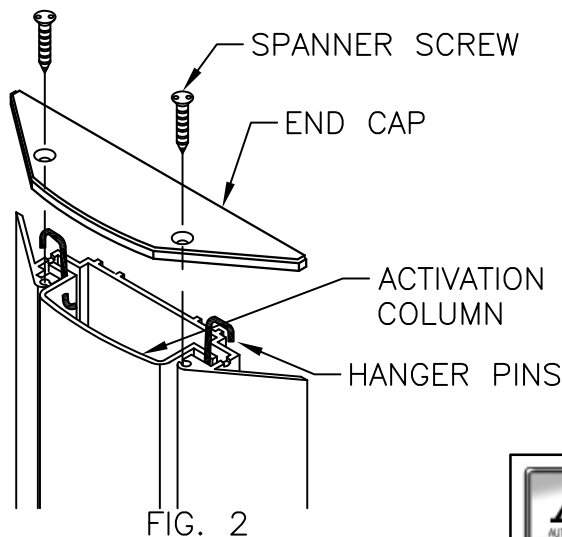


FIG. 2

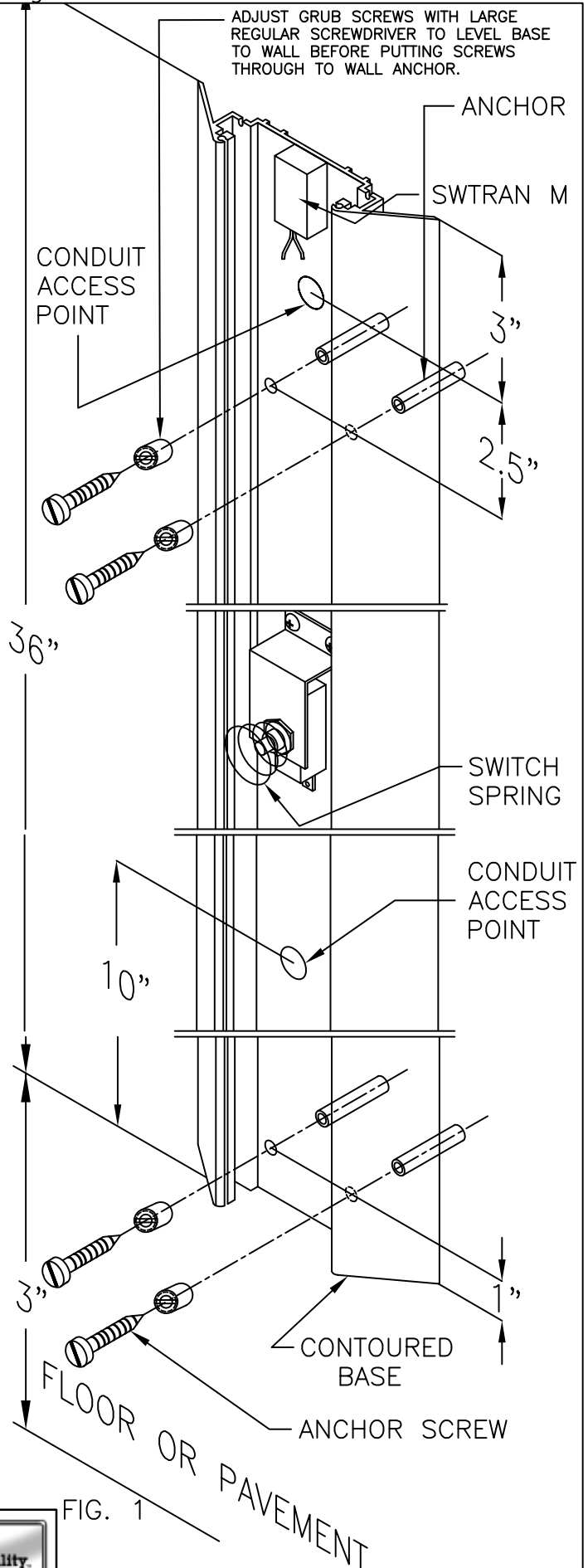


FIG. 1

