

1" Satin chrome mortise cylinder with Adams Rite cam and Schlage C keyway

KS-4 SERIES (4 1/2" X 4 1/2")

AVAILABLE:

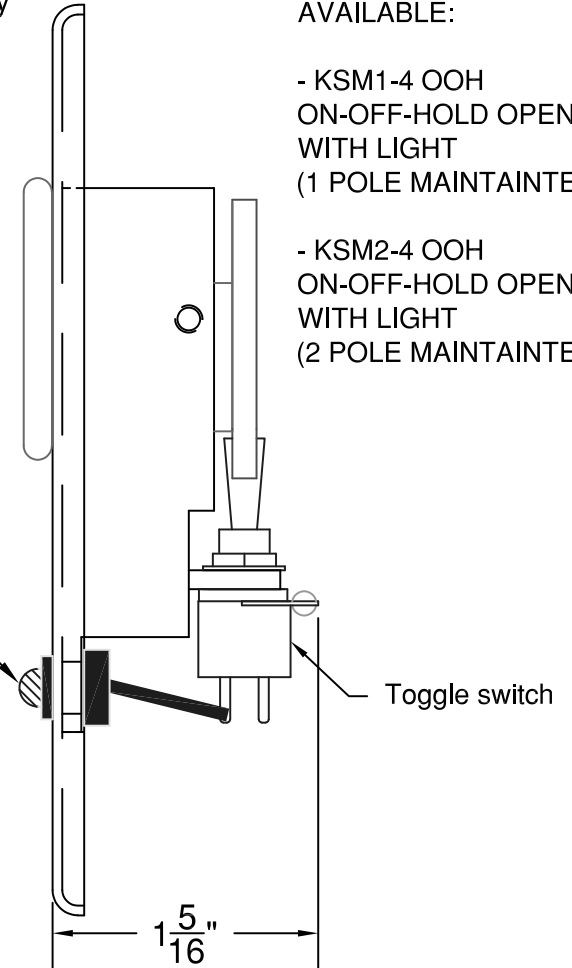
- KSM1-4 OOH
ON-OFF-HOLD OPEN
WITH LIGHT
(1 POLE MAINTAINED)

- KSM2-4 OOH
ON-OFF-HOLD OPEN
WITH LIGHT
(2 POLE MAINTAINED)

Grain Direction


Light

Tamper resistant security screws included

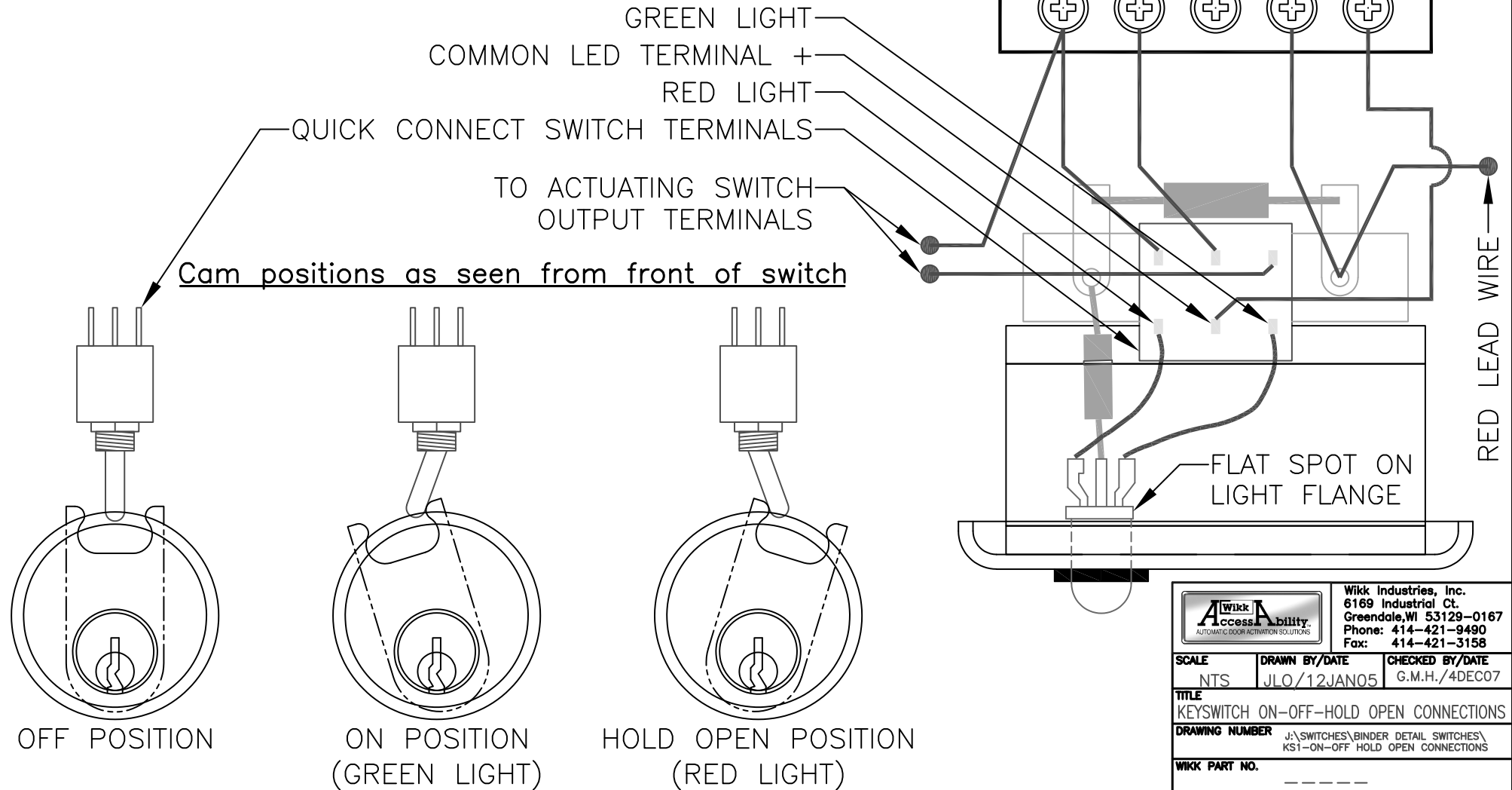



Keyswitch mounts directly into a single gang or double gang electrical box. kit includes dummy screws and nuts to present a finished appearance.

STANDARD FINISH: US32D (630) SATIN
FINISH OPTIONS: US32 (629) MIRROR
US4 (606) SATIN BRASS - UNCOATED
US3 (605) MIRROR BRASS - UNCOATED
US10B (613) OXIDIZED SATIN BRONZE OIL RUBBED

		Wikk Industries, Inc. 6169 Industrial Ct. Greendale, WI 53129-0167 Phone: 414-421-9490 Fax: 414-421-3158	
		SCALE FULL	DRAWN BY/DATE JK/06MAR12
TITLE KSM OOH (4X4) ON-OFF-H.O. KEY SWITCH			
DRAWING NUMBER J:\SWITCHES\BINDER DETAIL SWITCHES\KSM1-4 OOH & KSM2-4 OOH			
WIKK PART NO. KSM1-4 OOH & KSM2-4 OOH			

CONNECT 12-24 VOLTS AC OR DC TO COMMON LED SWITCH TERMINAL. (LOWER ROW) IF DC, RED LEAD MUST CONNECT TO THE POSITIVE TERMINAL. CONNECT THE OTHER COMMON SWITCH TERMINAL TO THE COMMON DOOR ACTUATION TERMINAL ON OPERATOR CONTROL PANEL. CONNECT THE TERMINAL (UPPER ROW) FURTHEST FROM THE RED WIRE TO THE ACTUATING TERMINAL ON THE OPERATOR CONTROL. CONNECT THE REMAINING SWITCH TERMINAL TO THE OUTPUT TERMINAL OF THE ACTUATING DEVICE



			Wikk Industries, Inc. 6169 Industrial Ct. Greendale, WI 53129-0167 Phone: 414-421-9490 Fax: 414-421-3158		
SCALE	DRAWN BY/DATE	CHECKED BY/DATE			
NTS	JLO/12JAN05	G.M.H./4DEC07			
TITLE					
KEYSWITCH ON-OFF-HOLD OPEN CONNECTIONS					
DRAWING NUMBER					
J:\SWITCHES\BINDER DETAIL SWITCHES\KS1-ON-OFF HOLD OPEN CONNECTIONS					
WIKK PART NO.					
