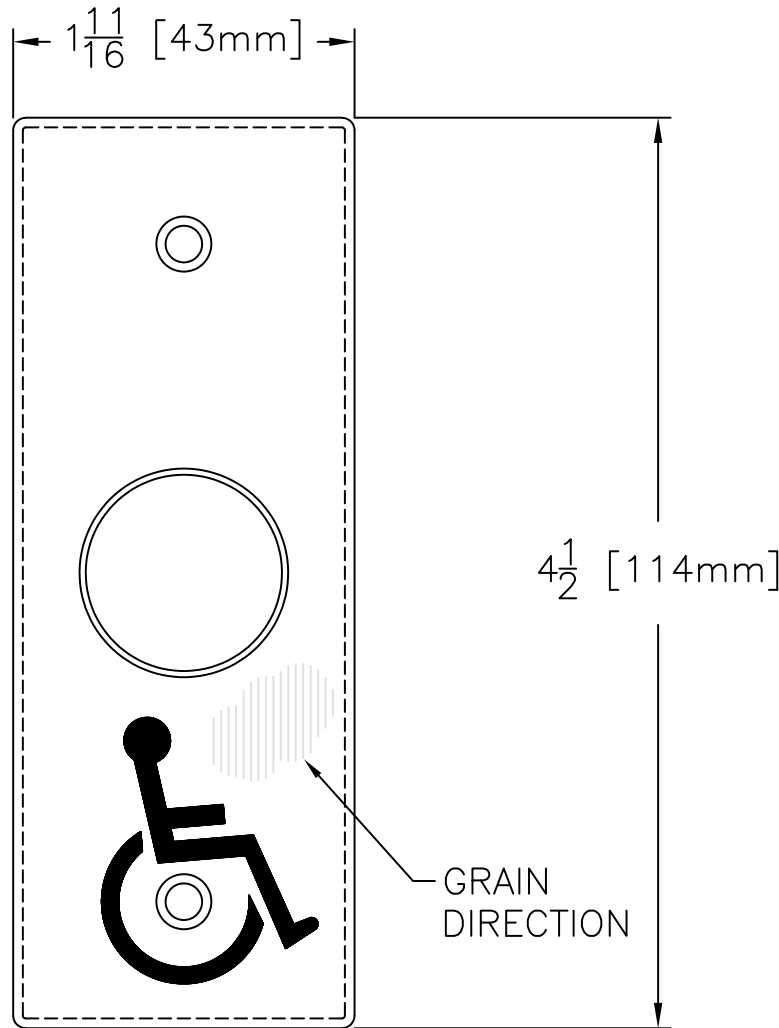
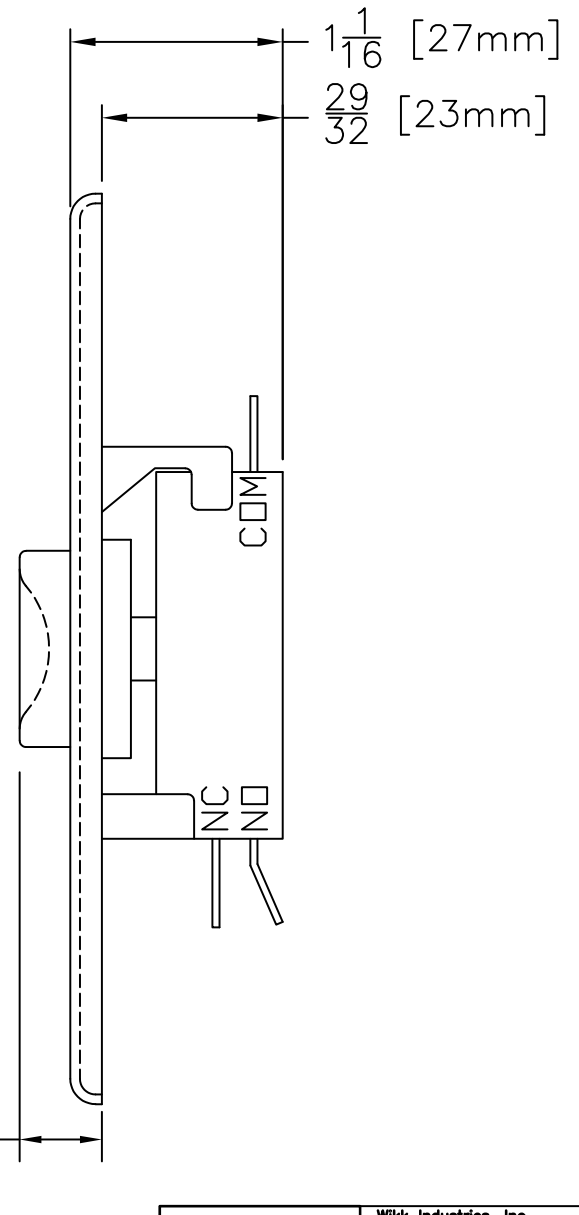


N/S-1 BLK (BLACK BUTTON ONLY)
N/S-1 RED (RED BUTTON ONLY)



N/S-5 BLK (BLACK BUTTON)
N/S-5 RED (RED BUTTON)



STANDARD FINISH – US32D
OPTIONS: US32, US3, US4 & US10B FINISH

”PUSH TO OPEN” SELF ADHESIVE LABEL INCLUDED WITH ALL KITS

		Wikk Industries, Inc. 6169 Industrial Ct. Greendale, WI 53129-0167 Phone: 414-421-9490 Fax: 414-421-3158	
SCALE FULL	DRAWN BY/DATE BK 18FEB02	CHECKED BY/DATE G.M.H./05DEC07	
TITLE PUSH-BUTTON NARROW SWITCH			
DRAWING NUMBER J:\SWITCHES\BINDER DETAIL SWITCHES\NS-5 SWITCH			
WIKK PART NO. NS-1 SWITCH AND NS-5 SWITCH			