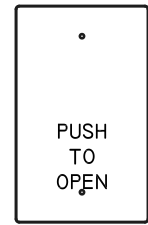


### Logo Options



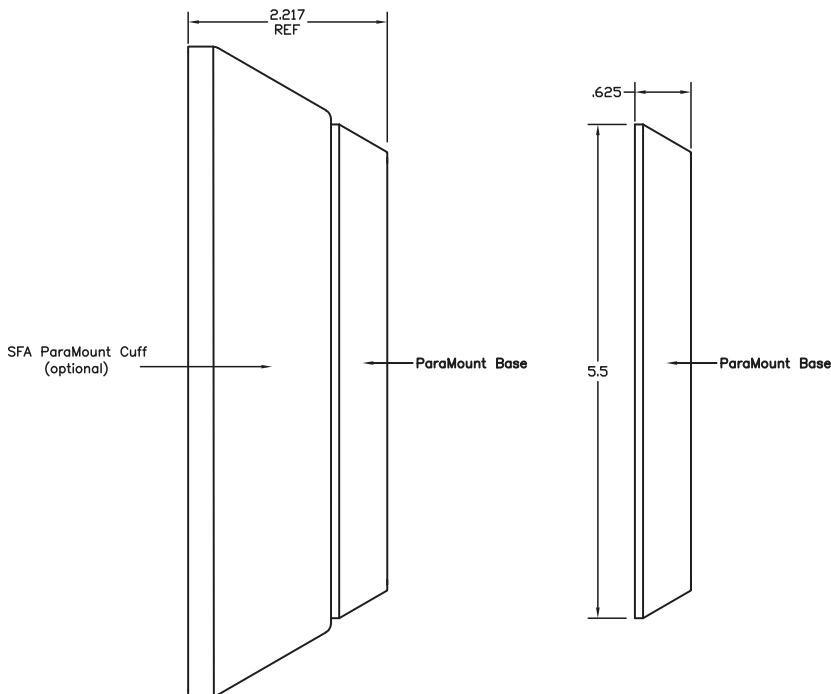
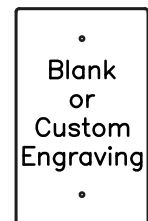
SFA-2  
BLACK INFILL



SFA-3  
BLUE INFILL



SFA-5  
BLACK INFILL



Material: Brass  
Finishes: US3, US4, US10B

Material: Stainless Steel #304  
Finishes: US32, US32D



Wikk Industries, Inc.  
6169 Industrial Ct.  
Greendale, WI 53129-0167  
Phone: 414-421-9490  
Fax: 414-421-3158

SCALE N.T.S.	DRAWN BY/DATE JK/15DEC08	CHECKED BY/DATE -----
TITLE PARAMOUNT BASEPLATE AND CUFF		
DRAWING NUMBER J:\SWITCHES\BINDER DETAIL SWITCHES\PARAMOUNT		
WIKK PART NO. -----		