

Programming the Wikk's 433 MHz Vestibule Sequencer W/Swtran433 Transmitter

This is entering the building- Exterior Door

Exterior Sequencer - On the Sequencer press **PV** and hold about 4 seconds until the red LED lights up (push **Exterior ADA switch with Swtran433 transmitter**)

Go to-

Interior Sequencer - On the Sequencer press **PR** and hold about 4 seconds until the red LED lights up (push **Exterior ADA switch again**)

Push **Exterior ADA Switch-**

Once you have this programmed the **Exterior** door should open immediately and the **Interior** Door will have a **10** second delay.

Programming Interior door- (inside to outside)

Interior Sequencer - On the Sequencer press **PV** and hold about 4 seconds until the red LED lights up (push **Interior ADA switch with Swtran433 transmitter**)

Go to-

Exterior Sequencer - On the Sequencer press **PR** and hold about 4 seconds until the red LED lights up (push **Interior ADA Switch again**)

Once you have this programmed the **Interior** door should open immediately and the **Exterior** door will have a **10** second delay.

Vestibule Switch- **SINGLE SWITCH IN THE VESTIBULE**

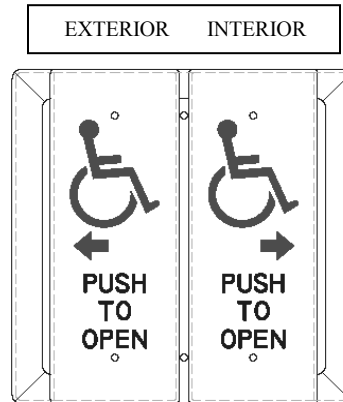
Exterior & Interior Sequencer - On the Sequencer press **PV** and hold about 4 seconds until the red LED lights up (push the switch for each sequencer)

This will open both doors at the same time.



Vestibule ADA Switch

DUAL SWITCH IN THE VESTIBULE



Press **PV** on the **EXTERIOR SEQUENCER** and hold about 4 seconds until the red LED lights up (push **Exterior ADA** switch). Doors will open immediately.

Press **PV** on the **INTERIOR SEQUENCER** and hold about 4 seconds until the red LED lights up (push **Interior ADA** switch). Doors will open immediately.

Adding a delay on the Sequencers

Examples:

PR=1 second

PV=5 seconds

PR-PR-PR-PR-PR=1+1+1+1+1=5 Seconds

PR-PR-PV-PV=1+1+5+5=12 Seconds

PR-PR-PR-PR-PR-PV-PV-PV-PV-PV-PV=1+1+1+1+1+5+5+5+5+5=30 Seconds

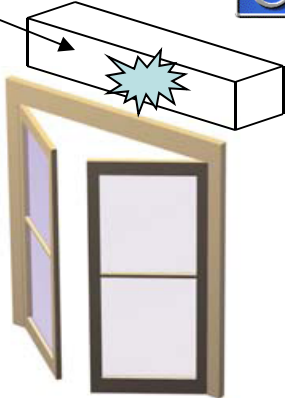
Delete Full memory-

On the **Sequencer** press **PR**- Red & Green light will illuminate hold until green light turns off. Immediately after press **PR** & **PV** simultaneously until Red & Green light start flashing 3 times.

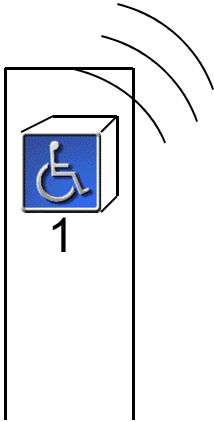
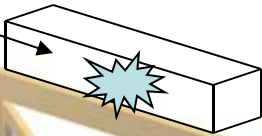
**PassAbility
Vestibule Squencing Receiver**

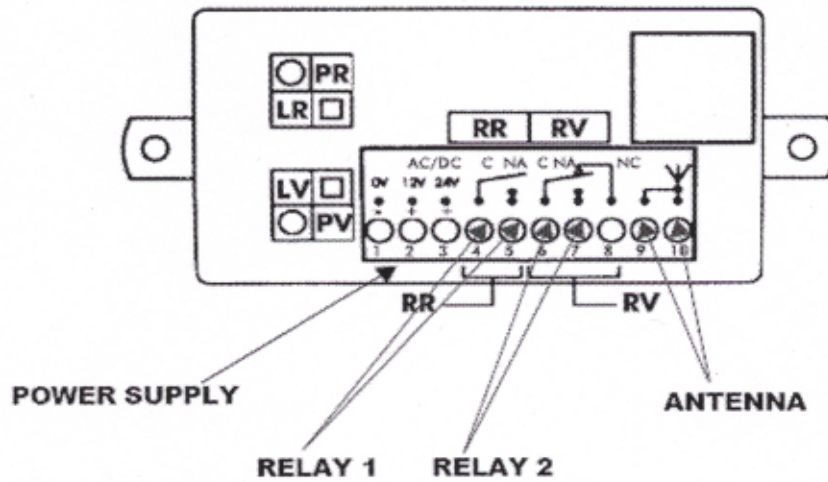


2



**PassAbility
Vestibule Squencing Receiver**





Terminals-1, 2,3 Power Supply

Terminal 4,5- Relay 1 Wire to Operator 1

Terminal 6,7- Relay 2 Wire to Operator 2

Terminal 8- Normally Closed for Relay 2

Terminal 9-Is for Shielding of the Antenna

Terminal 10-Is for the Pole of the Antenna