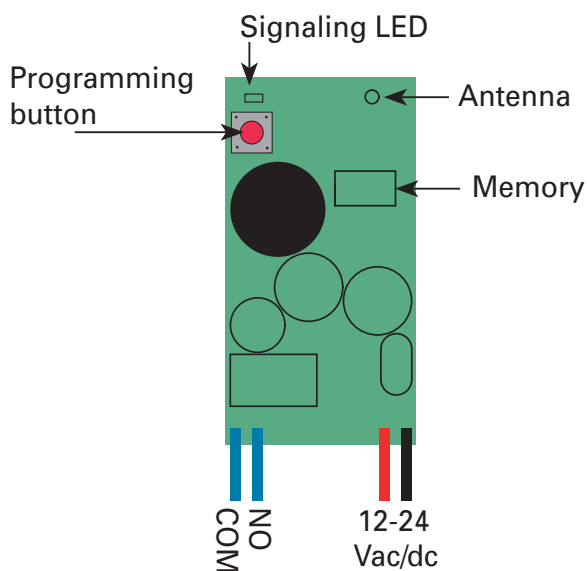




Please read this manual carefully before installing the product.

1 DESCRIPTION

Miniaturize receiver Rolling Code, 1 channel with dry contact relay output 1A a 30 Vdc / 0.5A a 42.4 Vac. Power supply 12-24 Vac/dc, frequency 915MHz.



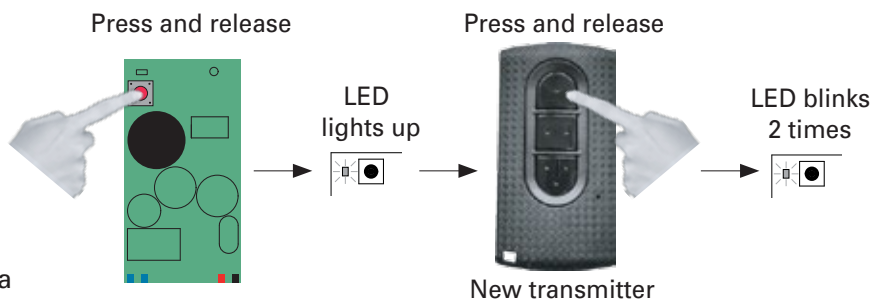
Code	Rolling Code
Max transmitters	800
Power supply	12-24 Vac/dc
Consumption	40mA dc - 35mA ac @12V 20mA dc - 55mA ac @24V
Channels	1 (immediate or on time)
Frequency	915 MHz
Range (in open space)	260 - 820ft (80 - 250 m)*
Relay contact	1A a 30 Vdc / 0.5A a 42.4 Vac
Temperature	14°F - +131°F (-10°C - +55°C)

*The range is influenced by the type of transmitter, antenna and radio interferences

2 PROGRAMMING OF THE TRANSMITTERS

1. Press the programming button. The LED will light up.
2. Press the button of the transmitter you want to memorize. The LED will blink 2 times for the correct programming. Repeat the procedure to memorize other transmitters.

WARNING! The receiver memorizes only one button for every transmitter. In case of a programming of a second button of the same transmitter, the receiver will remove the first memorized button.



3 PROGRAMMING OF THE TRANSMITTERS WITHOUT PROGRAMMING BUTTON

NOTICE: It is possible to use this function only with Rolling Code selection (see paragraph 6).

With this procedure it is possible to memorize a new transmitter without the pressing of the learning button on the receiver:

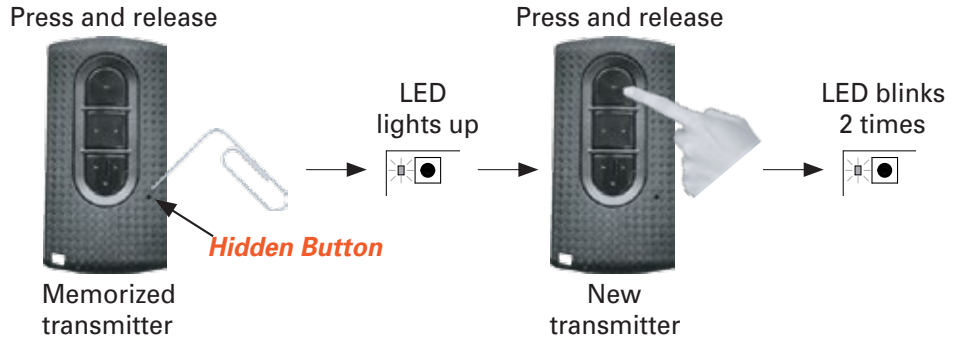
1. With the aid of a clip, press and release the **hidden button** on a transmitter already memorized. The LED will light up.

2. Press and release the button of the transmitter that you want to memorize. The LED will blink 2 times for the correct programming.

Repeat the procedure to memorize other transmitters.

WARNING! The receiver memorizes only one button for every transmitter. In case of a programming of a second button of the same transmitter, the receiver will remove the first memorized button.

NOTE: the hidden button of a transmitter already memorized has the same function of the button on the receiver.



4 MODALITY AND SELECTION OF THE FUNCTIONING

The functioning modalities of the relay are two:

1. IMMEDIATE: the relay is active as long as the radio signal is it as well, and the relay output is closed as long the transmitter button is pressed.

2. ON TIME: the relay, once activated, is active for a programmable time from 1 seconds up to 60 seconds.

The receiver, for default, is set with the IMMEDIATE modality. In order to select the ON TIME modality, proceed as follow:

1. Press and hold the learning button for more than 10 seconds.

2. When the LED blinks fast, it is possible to release the button. In this moment the time is set to 0 seconds (immediate functioning).

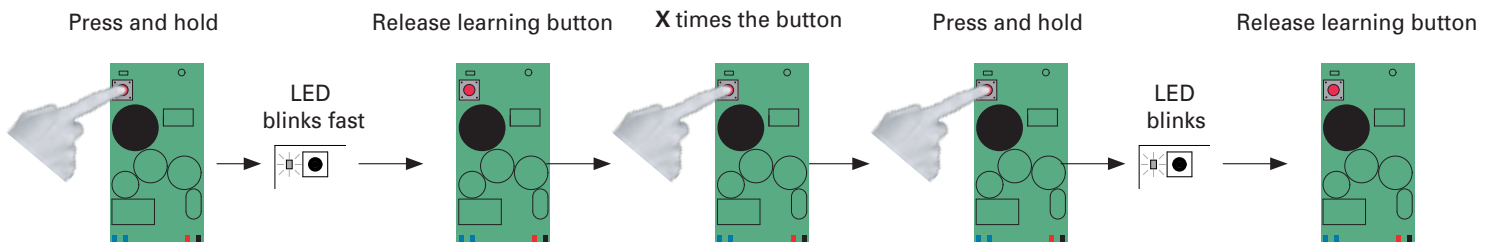
3. Press and release the learning button to increase the time of activation of the relay. Each time you press and subsequent release, the LED blinks one time and the time is increased by 1 second, until a maximum of 60 seconds.

4. Press and hold the learning button for more than 5 seconds.

5. When the LED blinks, it is possible to release the button. The time has been memorized.

During phase 3, after 20 seconds of inactivity, the receiver exits from the function, by timeout, without saving settings and it will be set the immediate functioning

EXAMPLE 1: set ON TIME modality with programmed time of X seconds.

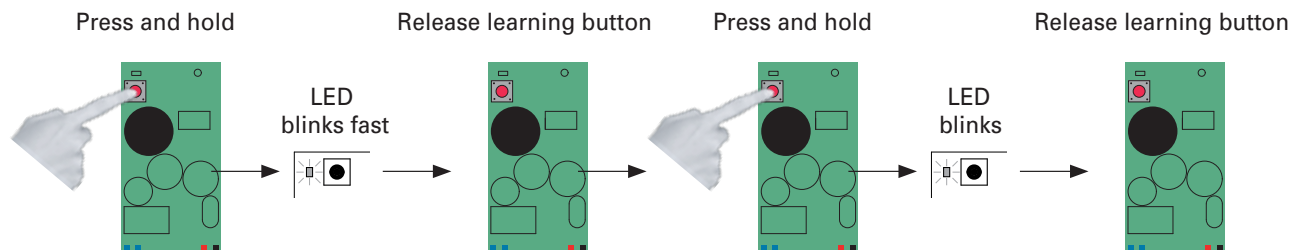


NOTE: during the process of a timed command, the LED blinks.

In order to select again the IMMEDIATE modality, proceed as follow:

1. Press and hold the learning button for more than 10 seconds.
2. When the LED blinks fast, it is possible to release the button. In this moment the time is set to 0 seconds (immediate functioning).
3. Press and hold the learning button for more than 5 seconds.
4. When the LED blinks, it is possible to release the button. The time has been memorized.

EXAMPLE 2: set IMMEDIATE modality



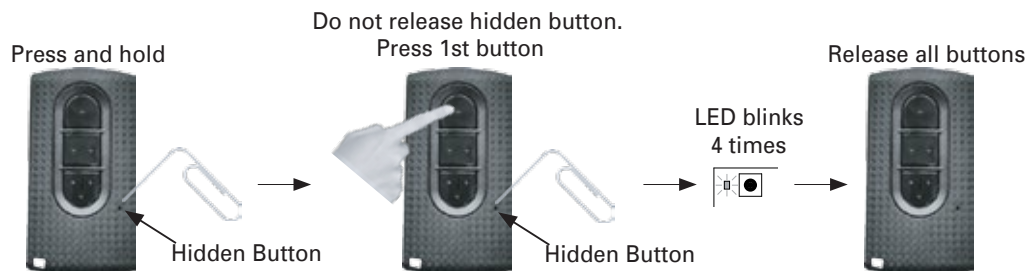
NOTE: during the process of an immediated command, the LED lights up until the button is pressed.

5 REMOVE A TRANSMITTER

NOTICE: it is possible to use this function only with Rolling Code selection (see paragraph 6).

1. Go near the receiver.
2. Press and hold the hidden button of the transmitter you want to remove.
3. Without releasing the hidden button press the first button of the transmitter.
4. The LED on the receiver will blink 4 times. When the LED goes off, transmitter is removed.

Do not make this procedure if near other receivers/automations, this procedure will remove the transmitter from every system into the range.



6 RESET AND CODE TYPE SELECTION

1. Switch off the receiver.
2. Press and hold the programming button of the receiver and then switch on the receiver.
3. When the LED goes off it is possible to release the button.
4. The LED blinks 3 times
5. The receiver has been reset.

7 WARRANTY

NOTICE

Any changes or modification to the equipment not expressly approved by the manufacturer could void the manufacturer's warranty and the user's authority to operate this product.

WARRANTY

The warranty period of this receiver is twenty-four (24) months. This warranty shall begin on the date the receiver is manufactured. During the warranty period, the product will be repaired or replaced (at the sole discretion of the manufacturer) if the product does not operate correctly due to a defective component. This warranty does not extend to (a) the receiver case, which can be damaged by conditions outside the control of the manufacturer.



www.wikk.com

877-421-9490