

Wikk Touchless Switch

No Touch Wave-to-Activate Switch For Sanitary Entry/Exit applications

- **DPDT Dry Contact Output**
- **No Moving Parts**
- **Bi-color Status Illumination**
- **Interior Application**

Features & Applications

- Uses IR Sensor technology; device is active with the simple wave of a hand
- Designed to control electric locks/strikes, magnetic locks, or automatic door operators
- Ideal for use in sanitary applications such as cleanrooms, bathrooms, food processing, hospitals and labs.
- Sensing Range up to 4" (10cm)
- Mounted on a durable stainless steel plate
- Dual LED, illuminated sensor, Red/Green indicates Inactive/Active status
- Quick connect screwless terminal block for easy installation
- Mounts to standard single gang electrical box

Specifications

Input: 25mA (standby); 55mA (Active) @ 12/24VDC

Output: 2-SPDT, 3 Amp Dry Contact

Activation Time:

1 second or as long as sensor is triggered

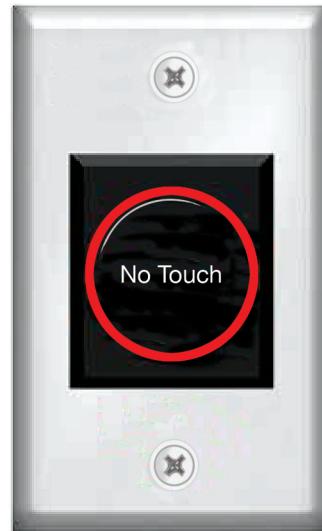
LED Color: Standby RED; Active Green

Range: 4" (10cm)

Weight: 3 oz. (85g)

Dimensions: 4.5" x 2.75" x 1.375"
 (115 x 70 x 35mm)

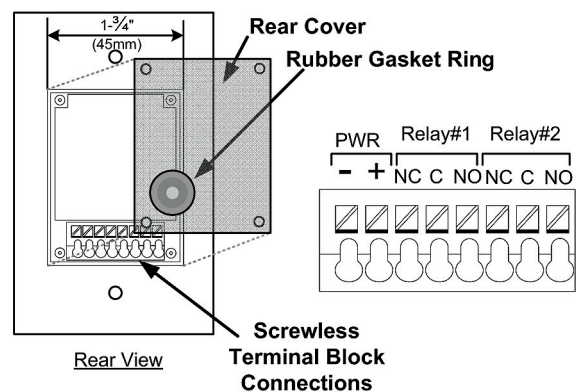
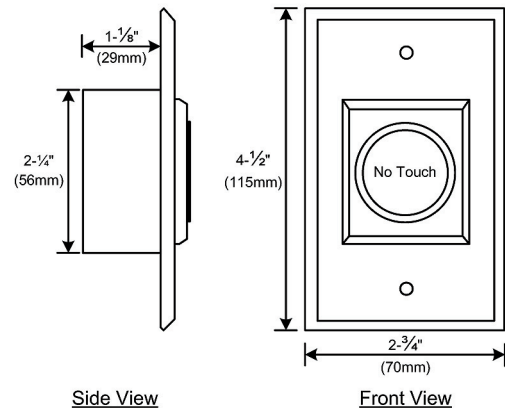
Temperature Rated: - 4° F to 131° F



Part #
SFA NO TOUCH 32D
 DIMENSIONS SHOWN BELOW



Part #
4x4 NO TOUCH 32D



www.wikk.com
 sales@wikk.com
 877-421-9490